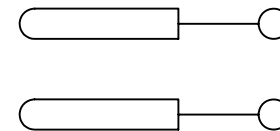
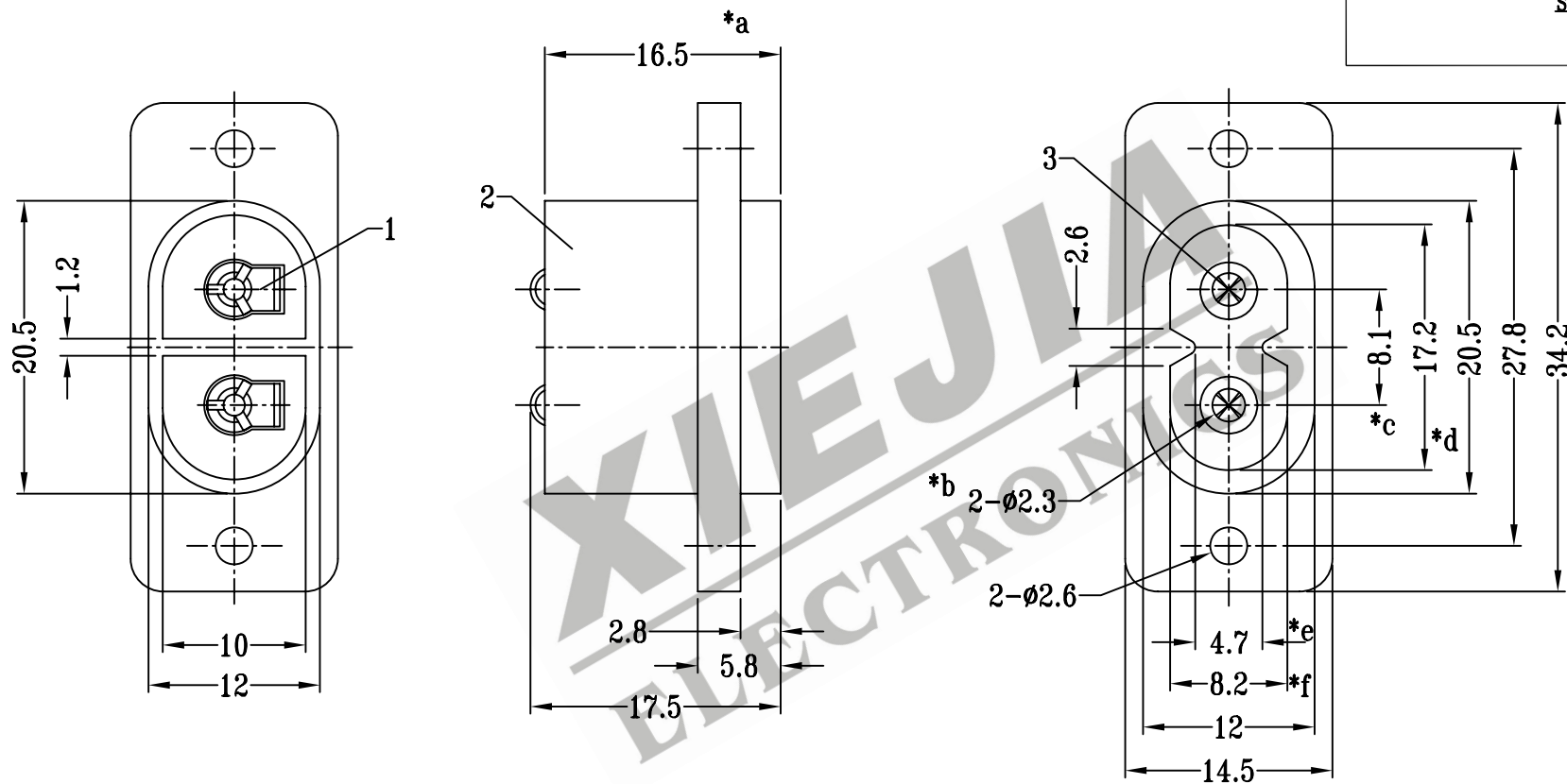


CAD FILE:



**SCHEMATIC**



注:带"\*"表示关键尺寸(6个)

8					TOLERANCE UNLESS SPECIFIED	SHENZHEN XIEJIA ELECTRONICS CO.,LTD.				
7										
6					WITHIN: 1.5±0.1mm	ISSUE	DATE	DESCRIPTIONS		APPD.
5					OVER : 1.5±0.2mm					
4					TITLE : AC SOCKET	UNIT : MM	DRWG NO.: XJ-DR-AS204-00			
3	PLUG PIN	BRASS STRIP	2	Ag PLATED	MODEL: AS-204	SCALE: 2 : 1	DWN.	ZHOUYU	2005-5-2	
2	CASE	PC	1	BLACK			CHK'D	FANGYING	2005-5-2	
1	TERMINAL	BRASS STRIP	2	Ag PLATED OVER Ni PLATED	ALL MATERIALS MUST BE COMPLIANT TO ROHS	APPD.	KANGXINAN	2005-5-2		
NO.	PART NAME	MATERIAL	Q'TY	FINISHING						